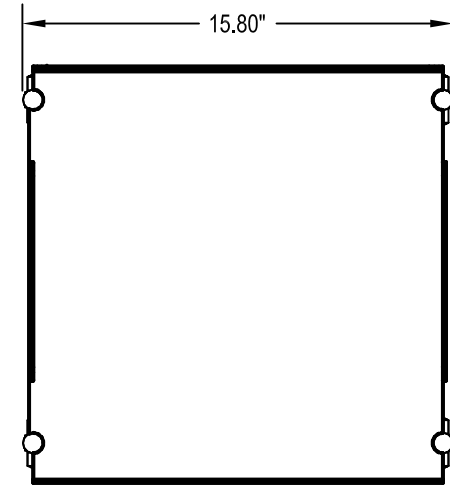
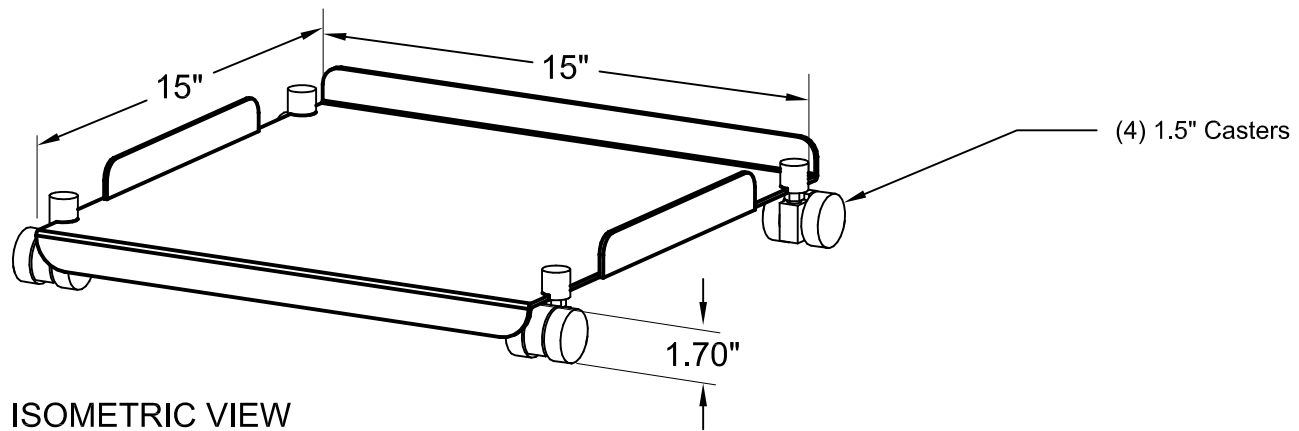


TOP VIEW



TOP VIEW
(Casters turned inside)



ISOMETRIC VIEW

NOTES :

MATERIAL :
AS NOTED ABOVE

TOLERANCES UNLESS OTHERWISE SPECIFIED

FRACTIONAL ±1/64
2 PLC. DEC. ±.01
3PLC. DEC. ±.001
ANGULAR ±.5°
FINISH $\sqrt{32}$

DRAWN BY : BD

DATE: 08/02/09

A P P R O V E D

DESCRIPTION :
METAL ROLLING SHELF

ENG :

MFG :

QA :

SCALE : N.T.S.

SHEET : 1 OF 1

USED ON :

PATH : ACCESSORIES\ROLLING SHELF\

PDF NAME:
EXSHR METAL 15x15-03

FOLDER :

REV: SIZE
A